



Tea-for-Two®
66" x 36" drop-in Effervescence bath
K-856-AH

Features

- 8 hydromassage jets can be individually adjusted for water flow and direction.
- Variable-speed pump for adjusting hydromassage intensity.
- Chromatherapy lighting allows you to select a preferred color scheme to suit your mood.
- Built-in heater.
- Electronic keypad.
- Remote control.
- Spacious design accommodates up to two bathers.
- Safeguard® slip-resistant surface on bath floor.

Material

- KOHLER® enameled cast iron.

Hydrotherapy

- 8 effervescence ports deliver gentle, caressing bubbles.
- Whirlpool.
- Chromatherapy.

Installation

- Reversible drain.
- Undermount.
- Drop-in or undermount.
- Requires K-23856 cable pop-up bath drain and K-23857 bath drain trim (sold separately).

Required Products/Accessories

K-23856 1-1/2" cable pop-up bath drain

or

K-23857 Bath drain trim

Recommended Products/Accessories

- K-1491 Bath/Whirlpool Pillow
- K-1601 Bath/whirlpool footstop, removable
- K-587 Under-Mount Installation Kit
- K-9498 3" Keypad Trim
- K-9698 Flexjet® Whirlpool Trim Kit
- K-1179 Vinyl Tiling-in Bead
- K-23726 Drain treatment
- K-23725 Cast iron cleaner



Codes/Standards

- ASME A112.19.1/CSA B45.2
- ASME A112.19.7/CSA B45.10
- ASTM F462
- UL 1795
- CSA C22.2 No. 218.2

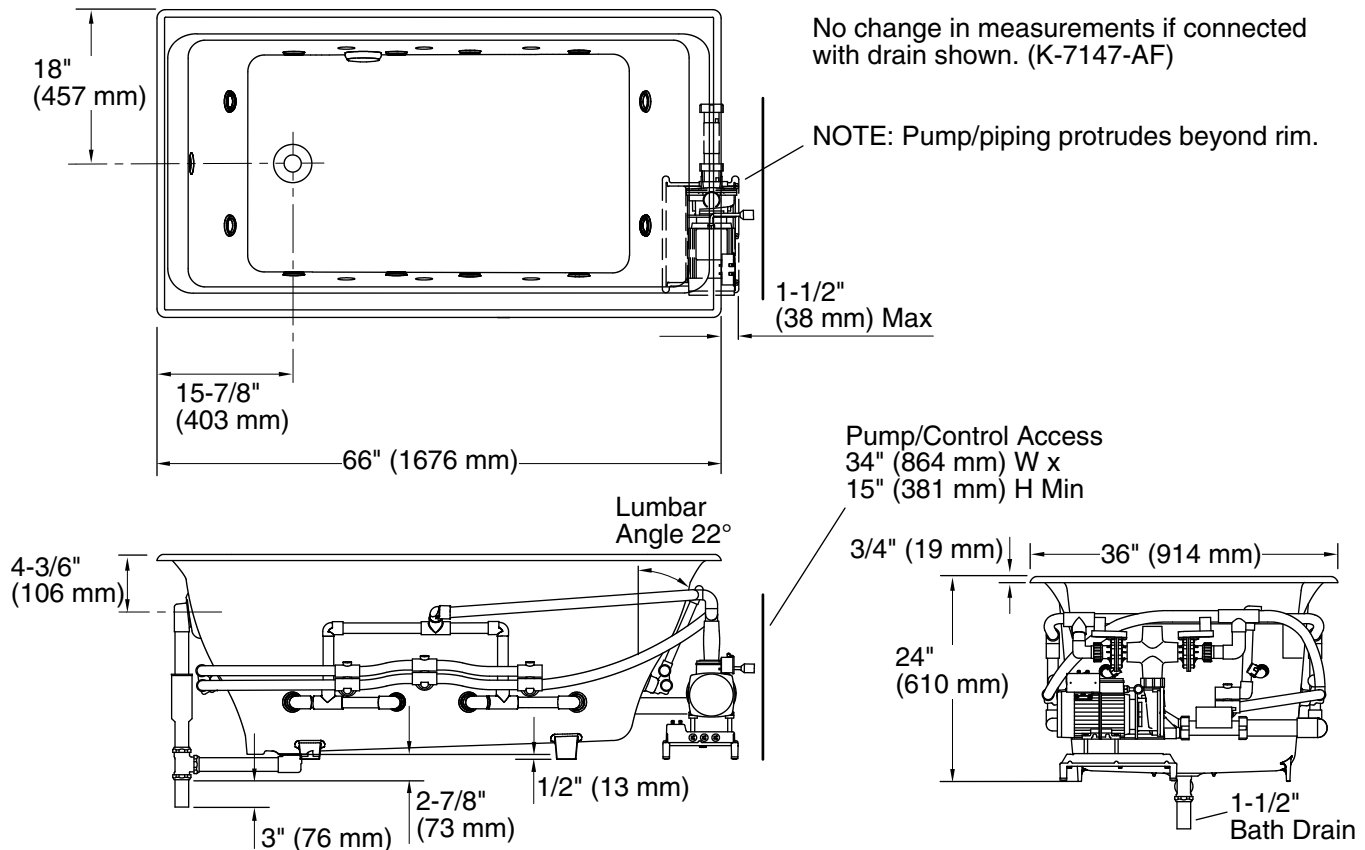
KOHLER® Enameled Cast Iron Bath and Shower Base Lifetime Limited Warranty
KOHLER® Hydrotherapy Components Five-Year Limited Warranty

See website for detailed warranty information.

Available Colors/Finishes

Color tiles intended for reference only.

Color	Code	Description
	0	White
	96	Biscuit
	NY	Dune
	95	Ice™ Grey
	58	Thunder™ Grey
	7	Black Black™



Required Electrical Service

One dedicated circuit required, protected with Class A Ground-Fault Circuit-Interrupter (GFCI). Outside North America, this device may be known as a Residual Current Device (RCD).

Pump, Heater: 240 V, 20 A, 50/60 Hz

Technical Information

All product dimensions are nominal.

Installation: Drop-in, Under-mount

Drain location: End

Basin area, bottom: 45" x 25" (1143 mm x 635 mm)

Basin area, top: 58" x 29" (1473 mm x 737 mm)

Weight: 510 lbs (231.3 kg)

Minimum floor load: 86 lbs/ft² (419.9 kg/m²)

Water depth: 19-1/2" (495 mm)

Water capacity: 105 gal (397.5 L)

Cutout: Drop-in, 65-1/2" x 35-1/2" (1664 mm x 902 mm)

Template: Under-mount, K-587, required, not included

Electrical component rating: Pump: 240 V, 11 A, 50/60 Hz
Heater: 240 V, 6 A, 1500 W

Pump speed: Variable

1-800-4KOHLER (1-800-456-4537)

Kohler Co. reserves the right to make revisions without notice to product specifications.

For the most current Specification Sheet, go to www.kohler.com.

8-7-2021 05:22 - US/CA/MX

Notes

Measure your actual product for rough-in details.

Install this product according to the installation instructions.

The hot water supply should be 70% of the capacity of the bath or greater. Installations will vary.

Kit is required for under-mount installations (sold separately).

Cast iron whirlpools are extremely heavy, making some drop-in installations difficult.

Splitting the deck/surround is recommended if installing into a deck.